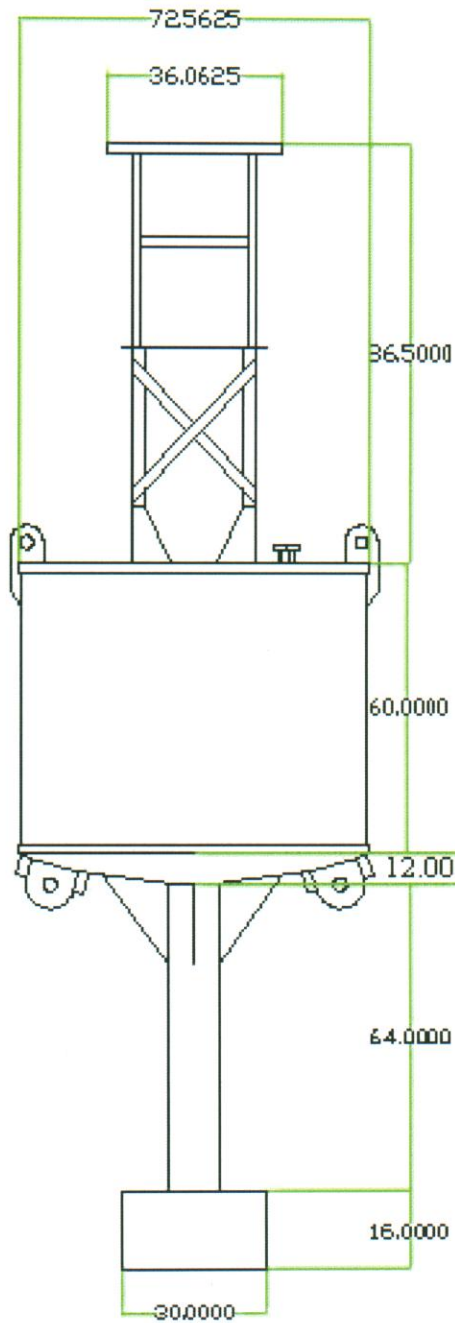


# 620 Buoy

DESCRIPTION	DATE	APPROVED
2 EA. (Padeye) at bottom of buoy	1/17/06	



Fabrication  
Division

Wet Tech Energy, Inc.

LAFAYETTE

LOUISIANA

**Buoy - 620**

SIZE	FSCM NO.	DWG NO.	REV
A		1-06JKC8-1/2x11	0
SCALE DIMS		SHEET	1 of 5